

# Technical Data Sheet



## HEAT PLUS DUCTED SPLIT HEAT PUMP UNIT

MODEL # ZEN-PC30HP20S

Project name : \_\_\_\_\_  
 Project location : \_\_\_\_\_  
 Engineering (name) : \_\_\_\_\_  
 Contractor (name) : \_\_\_\_\_

- Approved  
 Approved as Noted  
 Correct & Resubmit  
 Rejected



### PERFORMANCE DATA

Power supply		
Normal Operation Voltage	V, Ph, Hz	208/230V, 1Ph, 60
Voltage Range	V	187-253
Electrical		
Minimum circuit ampacity	A	23
Max fuse	A	35
Connection wiring		14AWG*2 Stranded, shielded
Cooling		
Rated Capacity	Btu/h	30000
Capacity Range	Btu/h	10400~33600
Power Input	W	2720
Rated current	A	12.40
SEER	Btu/w	18
EER	Btu/w	11
Heating at 47 °F		
Rated Capacity	Btu/h	33000
Capacity Range	Btu/h	12000~37000
Power Input	W	2780
Rated Current	A	12.50
HSPF4	Btu/W	10.5
HSPF5	Btu/W	8.4
COP	W/W	3.48



### REFRIGERANT PIPE DATA

Throttle type	Indoor	EEV for cooling
	Outdoor	EEV for heating
Design pressure	PSIG	550/340
Refrigerant type	Oz	R410A/134.04
Refrigerant precharge	ft (m)	25.0 (7.5)
Additional charge for each ft	oz/ft (g/m)	0.69 (65)
Liquid side/ Gas side	inch (mm)	3/8"/3/4" (9.52/19)
Max. pipe length	ft (m)	213.0 (65)
Max. difference in level	ft (m)	98.0 (30)
Connection method		Flared
Indoor (cooling/heating)	°F (°C)	60~90/32~86 (16~32/0~30)
Outdoor (cooling/heating)	°F (°C)	-30~122/-30~75 (-30~50/-30~24)
Application area	sq. ft (m2)	430.56~635.07 (40~59)

### INDOOR UNIT DATA

Indoor fan motor		
Type		Centrifugal
Model		ZKFD-375-8-1
Qty		1
Input	W	168.0
RLA	A	---
LRA	A	---
Winding Resistance	Ω	---
Capacitor	uF	---
Speed (Hi/Mi/Lo)	r/min	---
Air flow & Noise level		
Indoor air flow (Hi/Med/Lo)	CFM	894.12/805.88/711.76
Indoor noise level (Hi/Med/Lo)	dB(A)	43/40/30.5
Dehumidification	Pint/H	---
Indoor unit		
Dimension (WxDxH)	Inch (mm)	21.02x21.02x49.02 (534x534x1245)
Packing (WxDxH)	Inch (mm)	25.20x24.41x54.33 (640x620x1380)
Net/Gross weight	lbs. (kg)	58.6/70.6 (129.19/155.64)

## OUTDOOR UNIT DATA

Compressor		
Type		ROTARY
Model		KTF310D43UMT
Brand		GMCC
Capacity	(Btu/h)	32380
Input	W	2600
Rated current (RLA)	A	---
Refrigerant oil/oil charge	ml	VG74/1000
Outdoor fan motor		
Model		ZKFN-120-8-2

Qty		1
Input	W	150.0
RLA	A	---
Speed	r/min	950/900/500

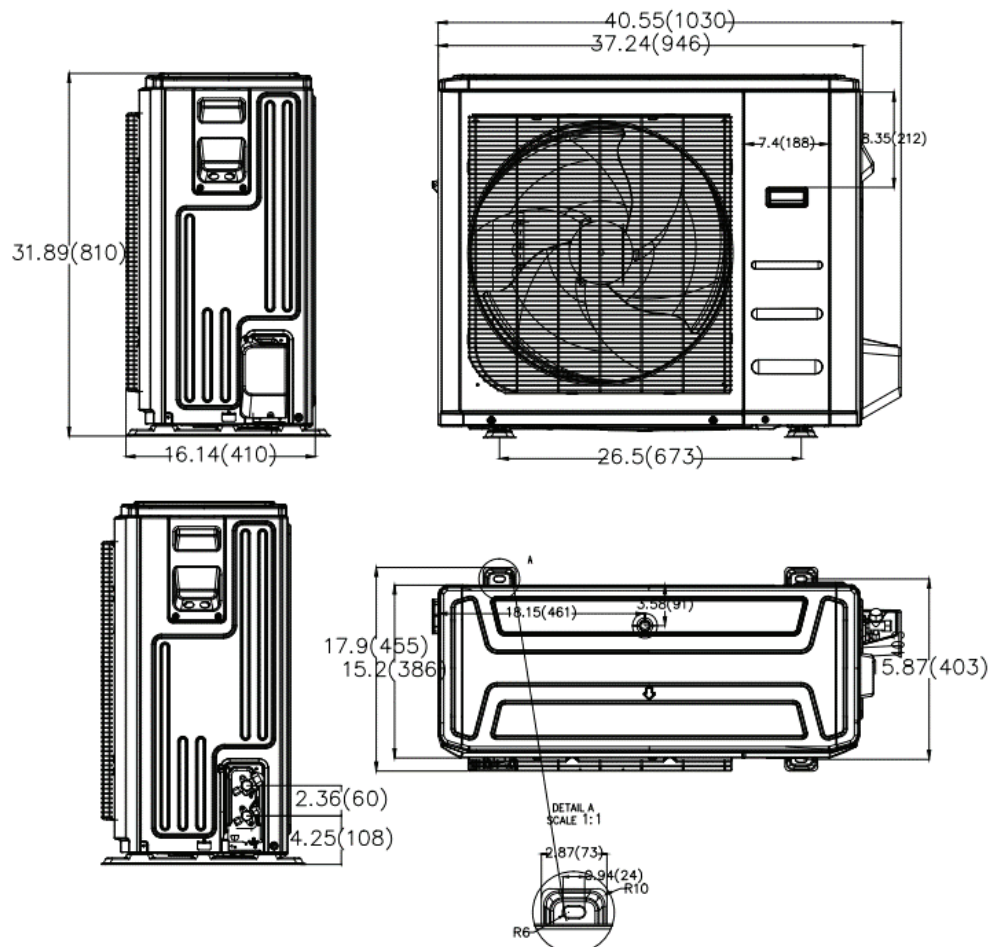
### Air flow & Noise level

Outdoor air flow (Max.)	CFM	3000.00
Outdoor noise level	dB(A)	61.5

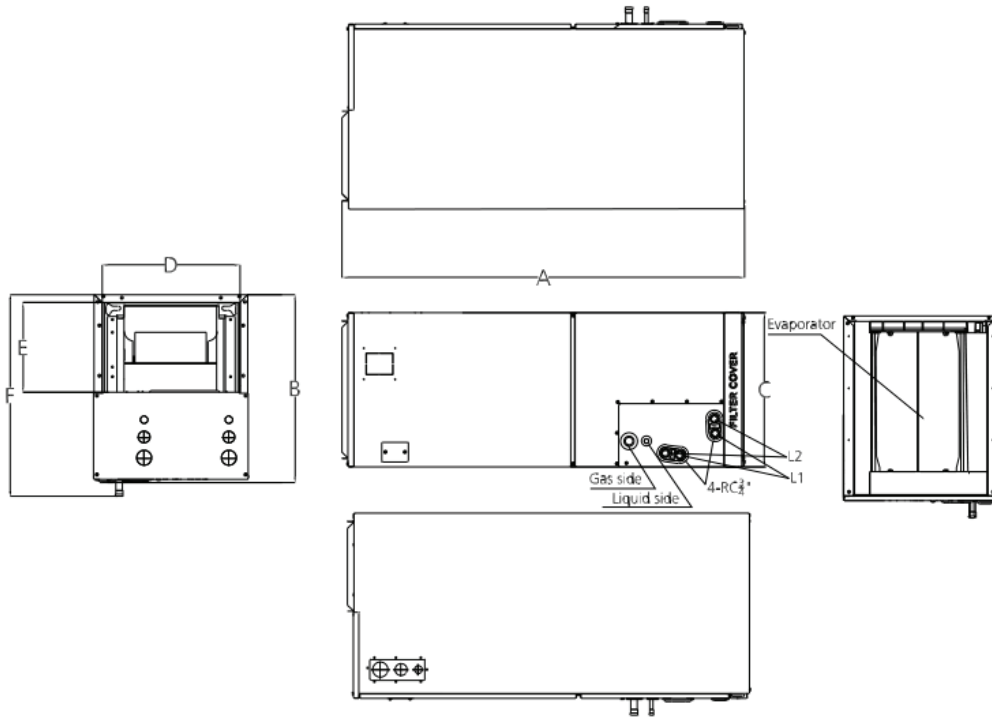
### Outdoor unit

Dimension (WxDxH)	Inch (mm)	37.24x16.14x31.89 (946x410x810)
Packing (WxDxH)	Inch (mm)	42.91x19.69x34.84 (1090x500x885)
Net/Gross weight	lbs. (kg)	159.83/169.75 (72.5/77)

## OUTDOOR UNIT



## INDOOR UNIT



Model	Unit	Dimensions(mm)						Drain hole	
		A	B	C	D	E	F	L1	L2
18k~24k	mm	1143	534	445	400	260	585	Main drain	Overflow drain
	inch	45	21	17-1/2	15-3/4	10-1/4	23		
30k~48k	mm	1245	534	534	490	260	585		
	inch	49	21	21	19-5/16	10-1/4	23		
60k	mm	1346	534	622	580	260	585		
	inch	53	21	24-1/2	22-7/8	10-1/4	23		

## FAN PERFORMANCE

